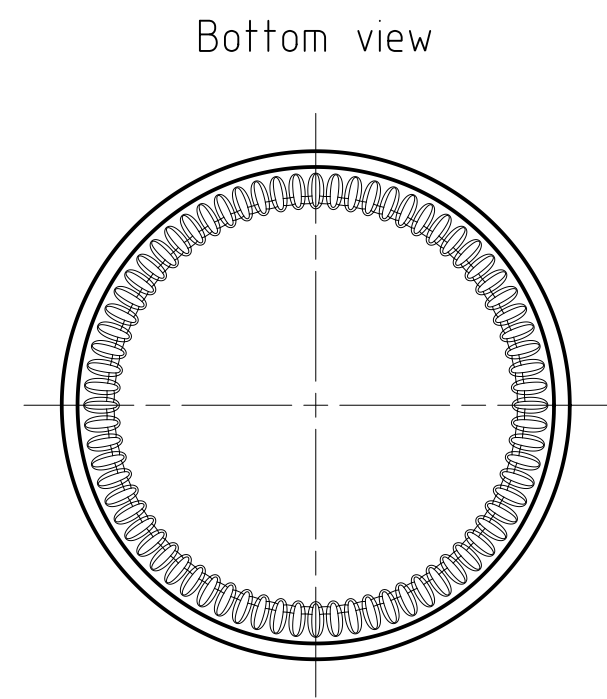
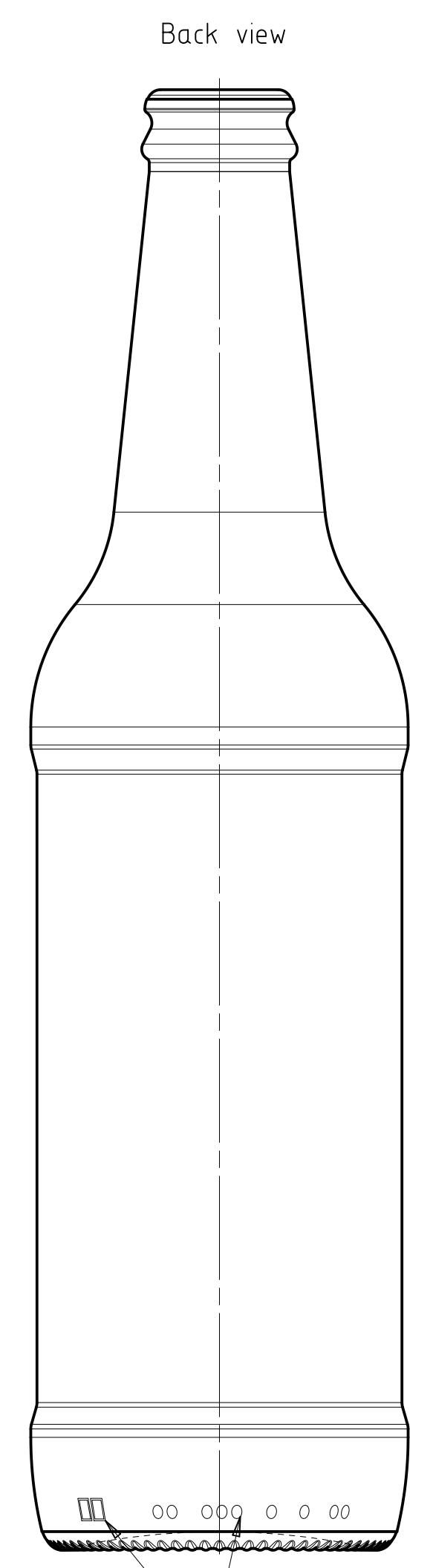
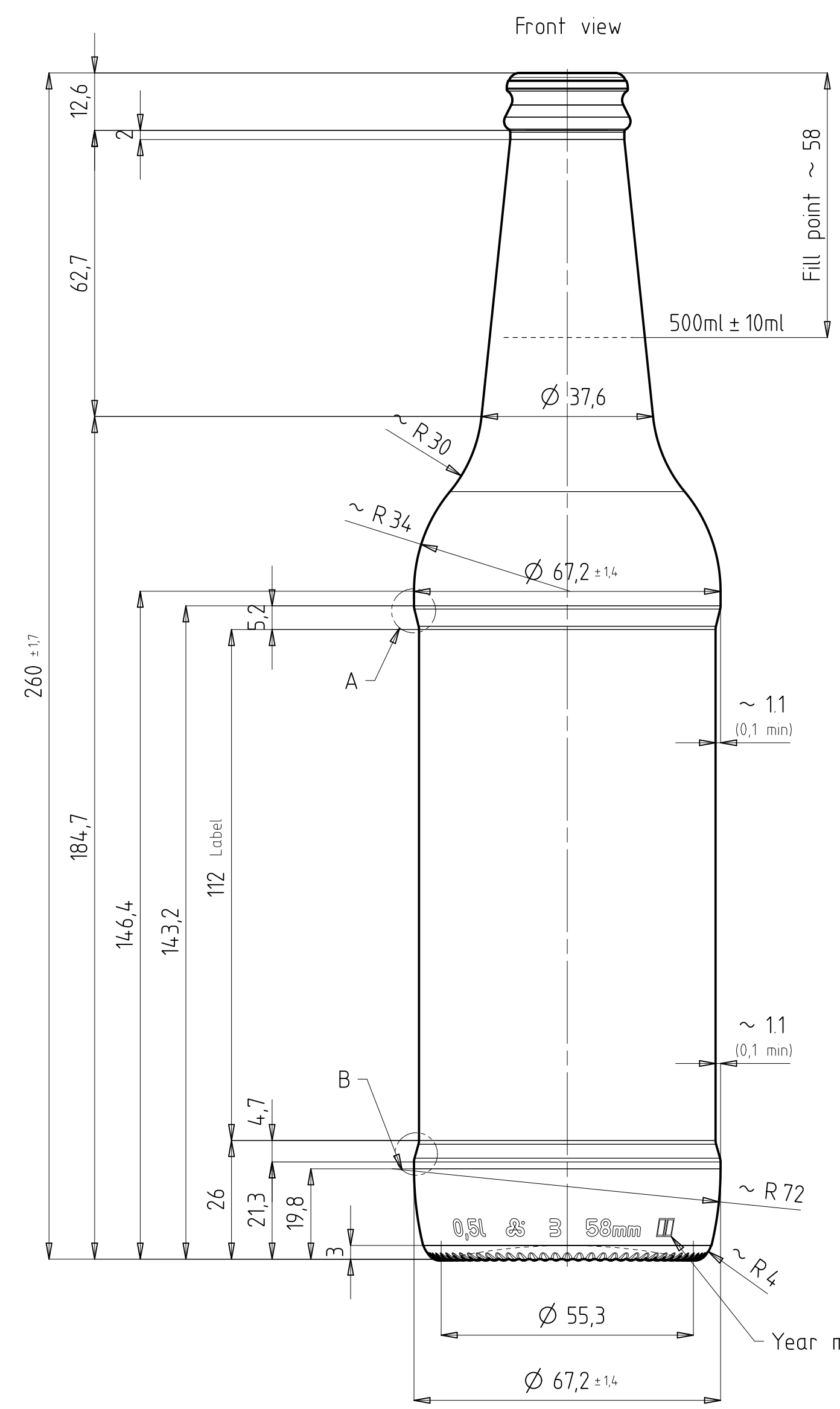
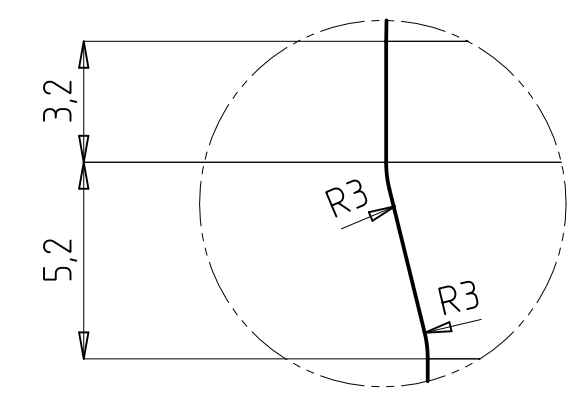


WE RESERVE ALL RIGHTS IN THIS DOCUMENT AND IN THE INFORMATION CONTAINED HEREIN. REPRODUCTION, USE OR DISCLOSURE TO THIRD PARTIES WITHOUT EXPRESS AUTHORITY IS STRICTLY FORBIDDEN.

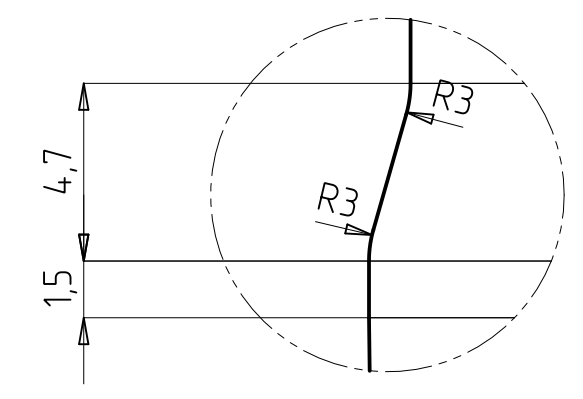
Finish: Crown finish 26 H 126
EN 14635



DETAIL A
SCALE 5:1



DETAIL B
SCALE 5:1



We declare our agreement with this drawing and the stated tolerances and hereby give our "Good for Execution".

16.11.20 ru KYJ

INDEX	ZMENY / modifications	DAT	JMENO	SOUHLAS PT approved	VIS Roz	TEPLOTA PLNENI Filling temperature	NOMINAL OBJEM Capacity fillpoint	POZNAMKA Remarks																
A	Redesign, rename, finish change to standard 1038	10.11.20	Pam	SOUHLAS FIB approved	VYR.ZAVOD KYJ	TEPLOTA ZPRACOVANI Conditioning temperature	TOTAL OBJEM Capacity brimful	ZAKAZNIK Customer																
					VYR.ZAVOD KYJ	OBSAH CO ₂ CO ₂ content	HMOTNOST Approx glass weight	PODOBNY JAKO Similar to																
				FS SOUHLAS FS approved	VYR.ZAVOD KYJ	OBSAH ALKOHOLU Alcohol content	STREDNI TLOUSTKA STENY Average wall thickness	NAHRAZUJE Replace No																
				NETOLEROVANE ROZMERY DLE DIN 6129 dimensions without tolerances conform to standard DIN 6129		AXIALNI ZATIZENI Axial pressure	PRIMER POD USTIM Neck connection dia	NAHRAZUJE Offer No																
						POUZITI Disposal	MW	AW	EW	X	VNITRNI PRUMER KALIBRU Min through bore	16 mm	MERITKO Scale	1.1	KRESLIL Des	PaM	DAT	10.11.20	DATA TYP Filetyp	AZ	VYROBEK CISLO Item No	5B037.0500.1038	INDEX	A

vetropack
Vetropack Moravia Glass a.s.
CZ-69701 Kyjov
Tel. 00420-518 603 111
www.vetropack.com

POZNAMKA
Designation
**SILENUS ALE 270g KK2613 500ml
LN SIL ALE 270**

FUER DIESES DOKUMENT UND DEN DARN DARGESTELLTEN GEGENSTAND BEHALTEN WIR UNS ALLE RECHTE VOR Vervielfaeltigen Bekanntheit AN DRITTE ODER VERWENDUNG SEINES INHALTS SIND OHNE UNSERE AUSDRUECKLICHE ZUSTIMMUNG VERBOTEN

VINE-0719-01-FIB-006-EZEN