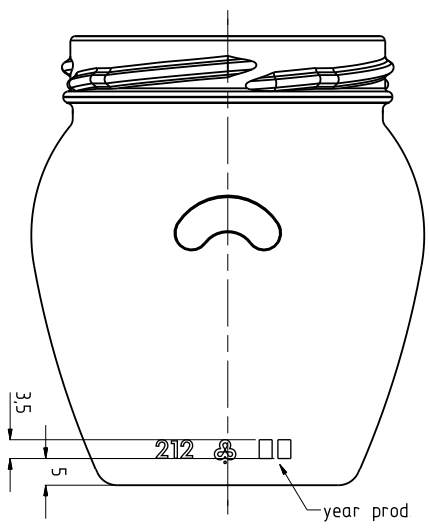
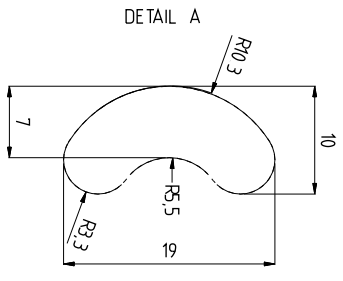
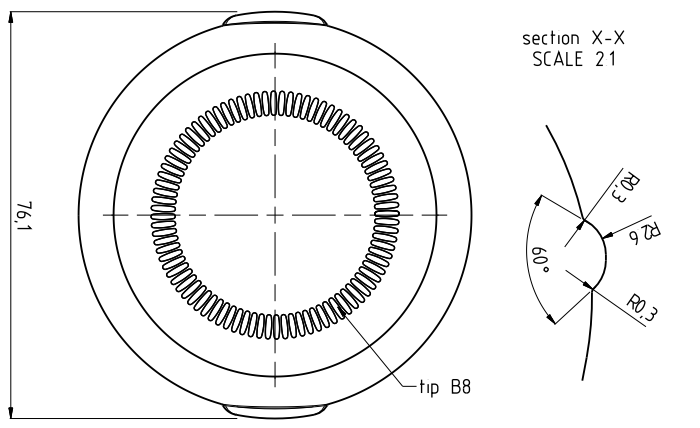
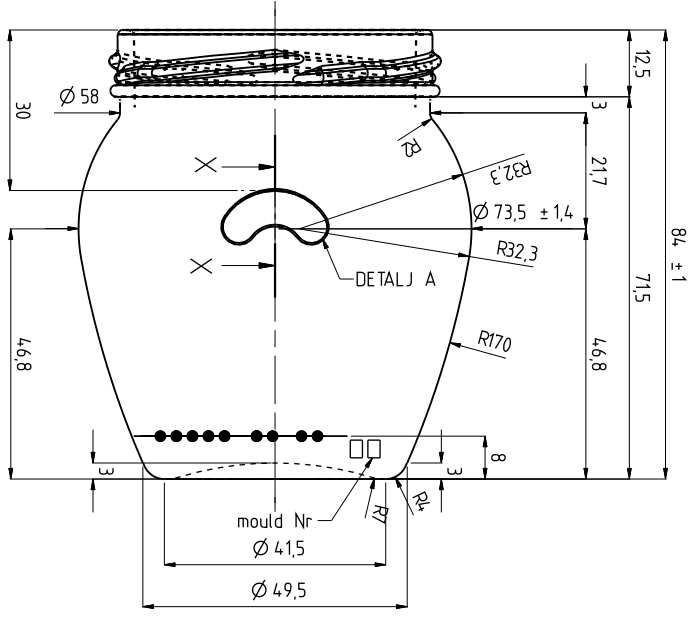


Twist-Off 63
FD138 (WHITE CAP)
GME 20-06



INDEX		PROJAVNE / modifications		PT. ODOBREN		TEMP. PUNJENJA		MAZIVNI SADRZAJ		MAPPJENJA	
		DATE	NAME	DATE	NAME	Filling temperature		Capacity fillpoint	Remarks		
A		19.01.04.	HS	31.05.18.	HS	TEMPERATURA OSRGADE		212 ml ±	KUPAC standardni proizvod		
B		20.10.10.	HS	31.05.18.	HS	Conditioning temperature		212 ml ± 6 ml	customer free product		
C		10.03.11.	HS	31.05.18.	HS	SADRZAJ CO ₂		135 g	SILIND SA		
D		27.06.11.	HS	31.05.18.	HS	CO ₂ content		3.06 mm	MIJENJA BR		
E		31.05.18.	HS	31.05.18.	HS	Alcohol content		3.06 mm	Mijena No		
						SADRZAJ ALKOHOLA		3.06 mm	6N4.39.0212.6034.D		
						PROJEKTA DEBLJINA STIENKE		58 mm	PONDUA BRUJ		
						Average wall thickness		58 mm	E6N1009.0212.6034.E		
						PROJEKTA ZATVARANJA		mm	MJEJLO		
						Neck connection dia		mm	Scale		
						100 dan				11	
						AW				AZ	
						EW					
						X					
						PB					
						X					
						EPB					
						WIE					
						WIE					
						WIE					
						WIE					
						WIE					
						WIE					

vetropack
Vetropack Straza dd
HR-49231 Hum na Sutli
Tel. 00385-49 326 326
www.vetropack.com

Amfora 135g T063RH 212ml

BR ARTIKLA
Item No
6N4.39.0212.6034

INDEX
E